

# Coffee Cups & Glasses Washing Machine

洗杯机 — 咖啡杯、酒杯，各类杯子

## 6-Year Full Warranty

### with Free Service and Parts Replacement! \*

\*Warranty valid for users using ONLY chemicals provided by Dishy Sales & Services Pte Ltd



*Knight (U.S.A.)*

- **NO NEED RINSING**

不用冲水

- **NO NEED WASHING**

不用洗杯

Electric Power 230 Volts 15 AMP

电力 230 Volts 15 AMP

**Office: 64846995**

**HP: 96757337**

Find out more on [www.dishysales.com](http://www.dishysales.com)

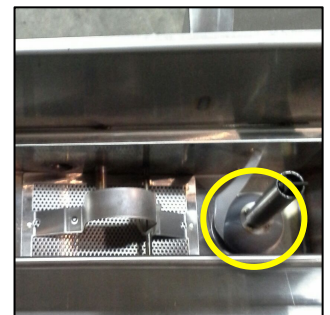
### Checklist for Common Errors:



Both power switch and main switch are 'ON'



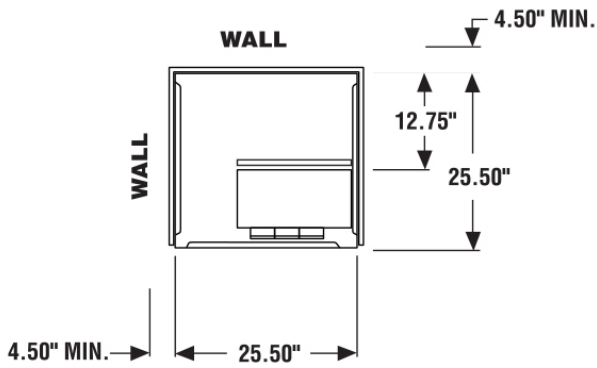
Heater switch is 'ON' & Wait for **10 minutes** to heat up



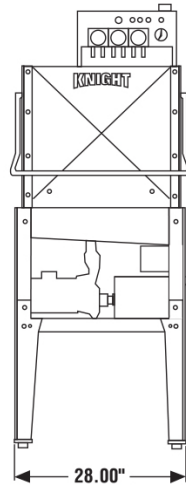
Drain ball has **nothing blocking** its way

# Dishwasher Dimensions & Layouts

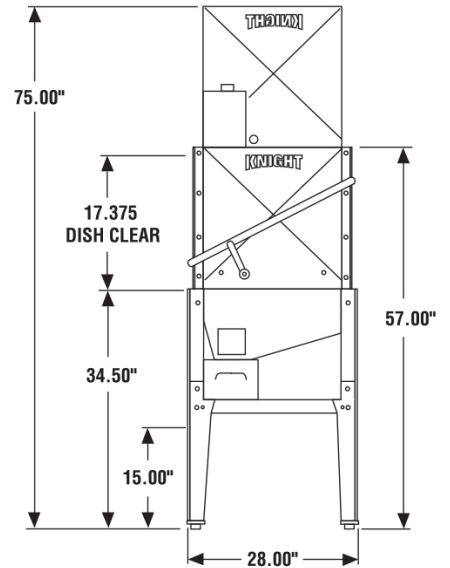
## Dimensions:



TOP VIEW



FRONT VIEW



RIGHT SIDE

## Different Installation Layouts:

① Corner Operation



② In-Line Operation



# KNIGHT DISHMACHINE

## 洗碗机

**6-Year Full Warranty**  
**with Free Service and Parts Replacement! \***

\*Warranty valid for users using ONLY chemicals provided by Dishy Sales & Services Pte Ltd



*Knight (U.S.A.)*

- *Easily Convert from High Temp to Low Temp*
- *In-line or Corner Operation*

Electric Power 415 Volts 20 AMP

电力 415 Volts 20 AMP

**Office: 64846995      HP: 96757337**

Find out more on [www.dishysales.com](http://www.dishysales.com)

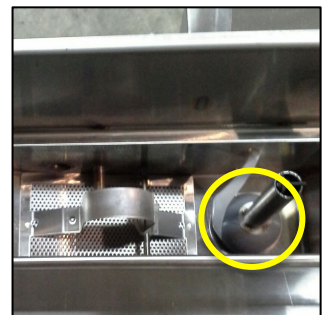
### Checklist for Common Errors:



Both power switch and main switch are 'ON'



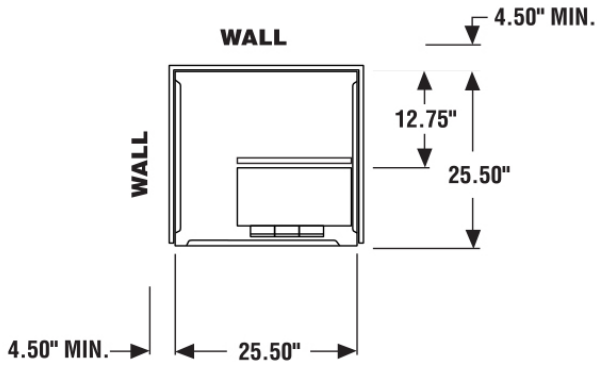
Heater switch is 'ON' & Wait for **10 minutes** to heat up



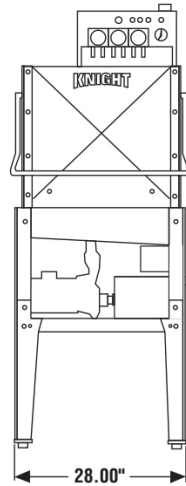
Drain ball has **nothing blocking** its way

# Dishwasher Dimensions & Layouts

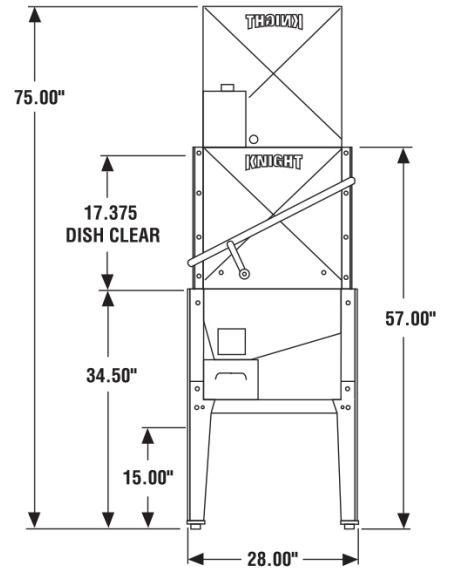
## Dimensions:



TOP VIEW



FRONT VIEW



RIGHT SIDE

## Different Installation Layouts:

① Corner Operation



② In-Line Operation

